



BEIBLEACH POWER ACTIVE process

Disinfectant liquid laundry care at 40 °C and at 60 °C

CHT
SMART CHEMISTRY
WITH CHARACTER.

BEIBLEACH POWER ACTIVE process

PURE. DISINFECTED!

The benchmark for modern textile care in the health and food sector is high. Highest purity and a safe disinfection must be achieved with minimum energy input and maximum laundry protection.

The **BEIBLEACH POWER ACTIVE process** is already very efficient at 40 °C and is listed at the Robert Koch-Institute (RKI), at the VAH (Association for Applied Hygiene) and the Gütegemeinschaft (Quality Association) according to RAL-GZ 992/2, 992/3 and 992/4.

This modular system with exclusively liquid components allows for a highly efficient, energy-saving and sustainable way of working. The innovative washing process makes thus a decisive contribution to an ecological process optimisation.

LIST OF BENEFITS

- Processes at 40 °C and at 60 °C listed at the VAH and the Gütegemeinschaft according to RAL-GZ 992/2, 992/3 and 992/4
- Listed at the Robert Koch-Institute (RKI) at 40°C
- Suited for all laundry types except for wool
- Highly efficient
- Saves energy and cost
- Protects the environment and the laundry
- 3 liquid products with 3 special tasks
- Simple and inexpensive dosing technique
- Product composition and quantity can be adjusted to the individual requirements
- The **BEIBLEACH POWER ACTIVE process** is applicable on continuous batch washers and wash extractors



2 TEMPERATURES – 1 SOLUTION

No matter whether for the process at 40 °C or at 60 °C, with the **BEIBLEACH POWER ACTIVE process** the laborious exchange of detergents is not necessary. The same products are used - only in different application amounts depending on the requirements.

Conditions for the listing of the process at 40 °C¹

Time: 20 min | Temp.: 40 °C | LR: 1:5

Product	Application amount
BEIBLEACH POWER ACTIVE*	5.0 ml/l
BEIPUR ANP	2.0 ml/l
BEICLEAN NFG	0.4 ml/l

Conditions for the listing of the process at 40 °C²

Time: 20 min | Temp.: 40 °C | LR: 1:4

Product	Application amount
BEIBLEACH POWER ACTIVE*	4.0 ml/l
BEIPUR ANP	1.6 ml/l
BEICLEAN NFG	0.4 ml/l

Conditions for the listing of the process at 60 °C²

Time: 12 min | Temp.: 60 °C | LR: 1:4

Product	Application amount
BEIBLEACH POWER ACTIVE*	0.9 ml/l
BEIPUR ANP	0.6 ml/l
BEICLEAN NFG	0.4 ml/l

* Use biocides safely.
Always read the label and product information before use.

¹ listed at the Robert Koch-Institute (RKI)

² listed at the VAH and in the Gütegemeinschaft according to RAL-GZ 992/2, 992/3 and 992/4



SAVES ENERGY AND COST

TARGETED COMBINATION

The flexible, modular combination of the basic products with special wash additives allows for a targeted adjustment of the washing process to the corresponding requirements.

With a minimum product and energy input a maximum result is thus achieved:

- Silicone microemulsions such as **BEISOFT RGH** reduce the drying time and crease formation
- Optical brighteners such as **BEIBLANC RUB NEU** lead to high whiteness degrees
- Detergent boosters such as **BEIPLEX BCM** protect the fibres
- Wash additives such as **BEICLEAN HD 4080** enhance the washing effect and increase the whiteness degree

SMARTEC SYSTEM – SMART SOLUTIONS

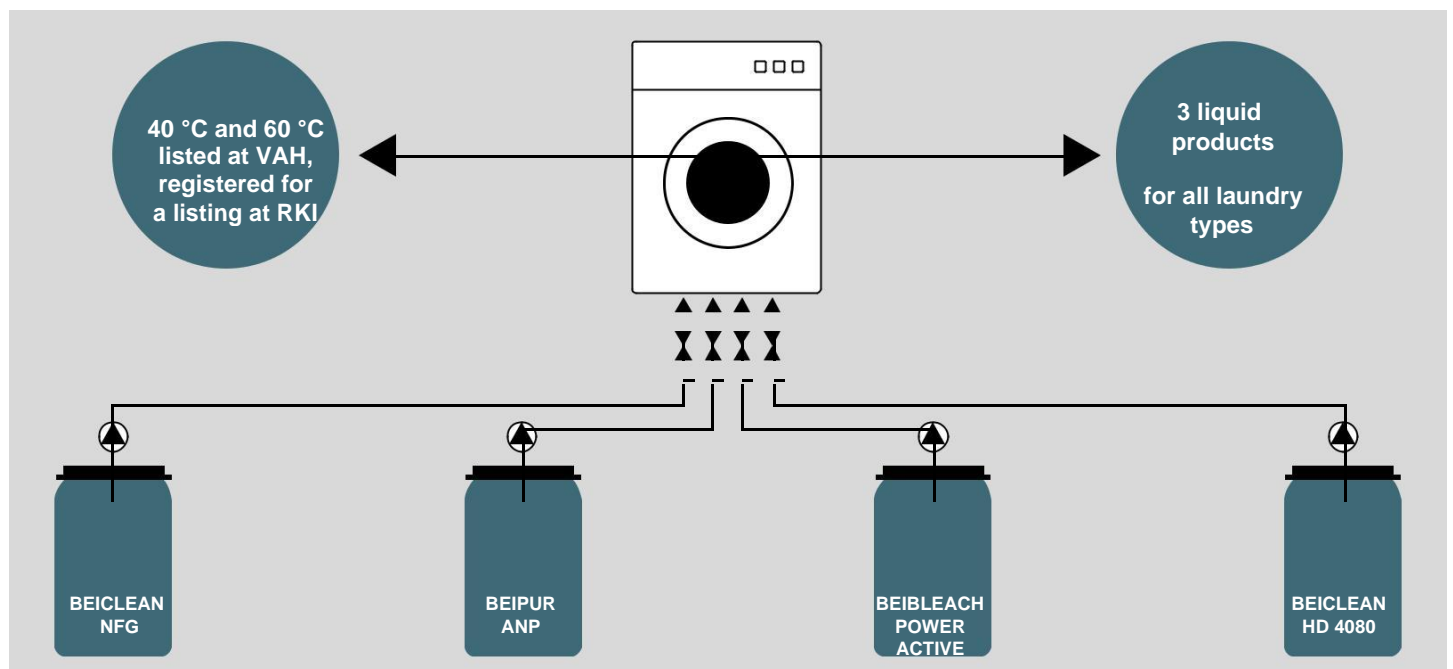
As a system solution the **SMARTEC SYSTEM** combines all of the features which are required for achieving an ecological process management. Optimum washing results are achieved which meet economic and ecological demands.

SMARTEC CHEMISTRY. All components required for washing are used in the corresponding quantity for the individual requirements. Whenever necessary, flexible product supplements are made. Simultaneously, products which are actually not necessary can be omitted. Fibres and dyeings are sustainably protected, which prolongs the durability of the textiles.

SMARTEC WATER SYSTEM. Individual water savings through optimised processes and optional recovery systems reduce the fresh water consumption of your system. The processes are individually adjusted on site and whenever necessary made more effectively by means of additional aggregates.

SMARTEC ENERGY. Specific, customised energy systems allow for a more efficient and effective use of resources. Advice on energy management and an energy audit provide a clear process map of the company and create a base for further optimisations.

Dosing example for wash extractors





Edition: March 2021
CHT Germany GMBH | Bismarckstraße 102 | 72072 Tübingen | Germany | Tel +49 7071 154-0 | Fax +49 7071 154-290 | www.cht.com | info@cht.com